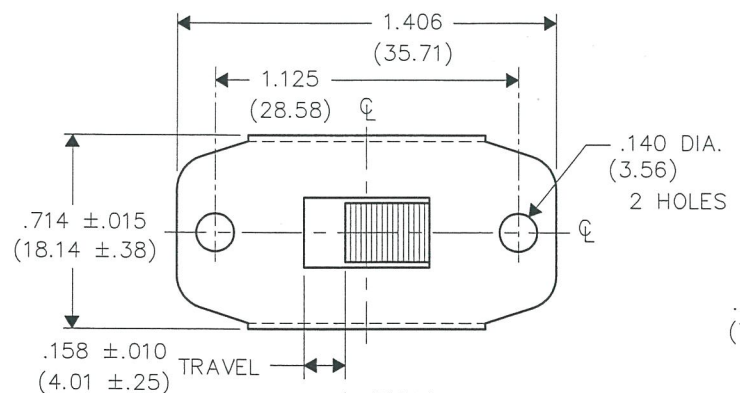


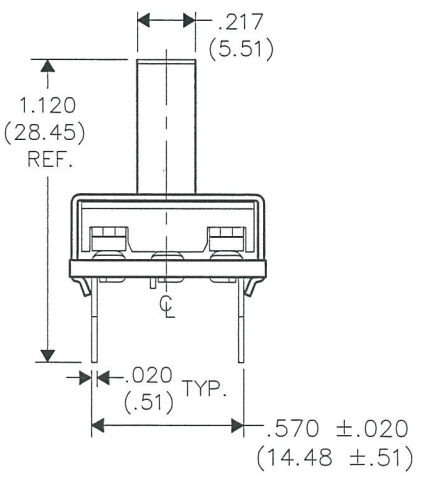
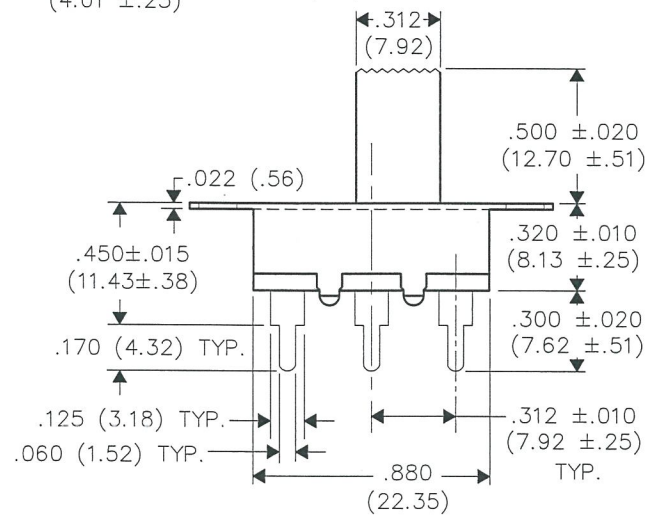
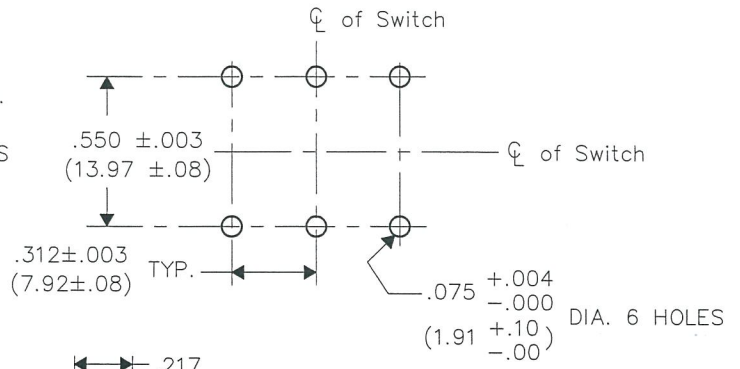
THIS INFORMATION IS CONFIDENTIAL AND PROPRIETARY TO CW INDUSTRIES INCORPORATED AND ITS AFFILIATES. IT MAY NOT BE DISCLOSED TO ANYONE OTHER THAN CW INDUSTRIES PERSONNEL, WITHOUT WRITTEN AUTHORIZATION FROM CW INDUSTRIES INCORPORATED, SOUTHAMPTON, PENNSYLVANIA, USA.

DIMENSIONS IN INCHES (MILLIMETERS)
 DO NOT SCALE DRAWING

Dwg. No.
G-375A-0015



P.C. PATTERN



1 2 3 4 5 6 7 8 9 10

B-FORMAT 2002	REVISIONS	O
	RELEASED:	2-16-2016
	DGW	APR 19 2016

PDF MADE	CW INDUSTRIES Southampton, Pa. 18966	
	TOLERANCES UNLESS OTHERWISE SPECIFIED	
	2 Place Decimal ±.010	METRIC
	3 Place Decimal ±.005	1 Place Dec. ±.25mm
	Angles ±1°	2 Place Dec. ±.13mm
Made for:	CW IND.	
Drawn by:	DGW	2-16-2016
Checked by:	G. GOLD 2-17-16	
Approval:	G. GOLD 2-17-16	

Title:	SLIDE SWITCH ASSEMBLY D.P. - D.T. SPRING RETURN
Division:	SWITCH
Dwg. No.	G-375A-0015

MASTER